

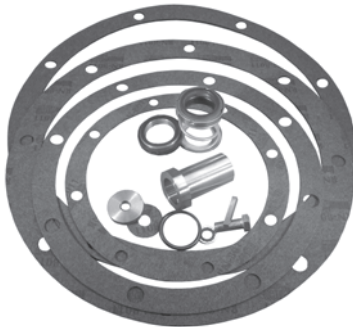
REPLACEMENT SEAL KITS

Kits include Mechanical Seal and Everything Needed for Its Installation

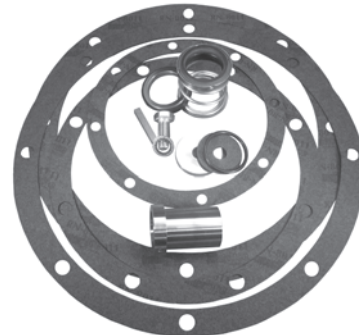
Kits for AURORA

Value Guard Part No.	Seal Dia.	Material Code	Aurora Small Bore No.
VGK-1124	1.125	BCFKF	476-0250-644
VGK-1126	1.125	VCFKF	—
VGK-1127	1.125	BCFJF	—
VGK-1128	1.125	VCFJF	—

Value Guard Part No.	Seal Dia.	Material Code	Aurora Small Bore No.
VGK-1125	1.500	BCFKF	476-0253-644
VGK-1129	1.500	VCFKF	—
VGK-1130	1.500	BCFJF	—
VGK-1131	1.500	VCFJF	—



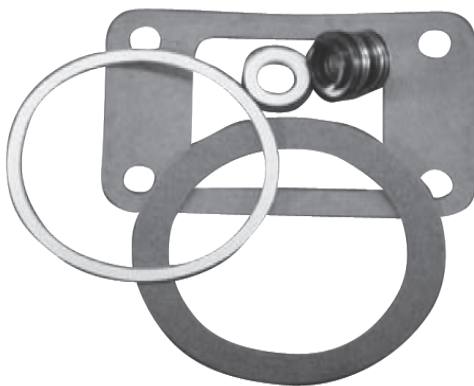
VGK-1124



VGK-1125

Kits for Aurora Pumps include gaskets, pins, o-rings, sleeve, and mechanical seal.

Kits for HOFFMAN



VGK-1087

Value Guard Part No.	Seal Dia.	Material Code	Hoffman Part No.
VGK-1087	.625	BCFJF	180013
VGK-1088	.625	BCFJF	180014
VGK-1085	.750	BCFJF	180010
VGK-1086	1.000	BCFJF	180011
VGK-1089	1.375	BCFJF	180015

Kits for Hoffman Pumps include gaskets and mechanical seal.

Aurora and Hoffman are not affiliated with U.S. Seal Mfg.
Products supplied are manufactured or purchased by U.S. Seal Mfg. from sources other than the companies listed.

REPLACEMENT SEAL KITS

Kits include Mechanical Seal and Everything Needed for Its Installation

Kits for PACO - End Suction Pumps

Value Guard Part No.	Seal Dia.	Material Code	Old Paco No.	New Paco No.
VGK-1006	.625	BCFJF	K100-1	91909684
VGK-1007	.625	BCFKF	K100-6	91909686
VGK-1008	.625	BCFKF	K100-7	91909687
VGK-1012	.625	BCFJF	K102-1	91909744
VGK-1013	.625	VCFKF	K102-6	91909746
VGK-1014	.625	BCFKF	K102-7	91909747
VGK-1009	.750	BCFJF	K101-1	91909719
VGK-1010	.750	VCFKF	K101-6	91909721
VGK-1011	.750	VCFKF	K101-7	91909722
VGK-1054	.875	BCFJF	K1503-1	91910735
VGK-1018	1.250	BCFJF	K105-1	91909832
VGK-1019	1.250	VCFKF	K105-6	91909837
VGK-1020	1.250	BCFKF	K105-7	91909838
VGK-1024	1.250	BCFJF	K107-1	91909909
VGK-1025	1.250	VCFKF	K107-6	91909912
VGK-1026	1.250	BCFKF	K107-7	91909913
VGK-1061	1.250	BCFJF	K453-1	91911801
VGK-1062	1.250	VCFKF	K453-6	—
VGK-1063	1.250	BCFKF	K453-7	—
VGK-1070	1.250	BCFJF	K600-1	91911821
VGK-1071	1.250	VCFKF	K600-6	91911824

Value Guard Part No.	Seal Dia.	Material Code	Old Paco No.	New Paco No.
VGK-1072	1.250	BCFKF	K600-7	91911825
VGK-1073	1.250	BCFJF	K601-1	91911832
VGK-1074	1.250	VCFKF	K601-6	91911834
VGK-1075	1.250	BCFKF	K601-7	91911835
VGK-1079	1.250	BCFJF	K607-1	—
VGK-1080	1.250	VCFKF	K607-6	91911848
VGK-1081	1.250	BCFKF	K607-7	—
VGK-1082	1.250	BCFJF	K608-1	—
VGK-1083	1.250	VCFKF	K608-6	91911850
VGK-1084	1.250	BCFKF	K608-7	—
VGK-1058	1.250	BCFJF	K1815-1	91910839
VGK-1059	1.250	VCFKF	K1815-6	91910841
VGK-1060	1.250	BCFKF	K1815-7	91910842
VGK-1055	1.375	BCFJF	K1575-1	—
VGK-1056	1.375	VCFKF	K1575-6	—
VGK-1057	1.375	BCFKF	K1575-7	91910804
VGK-1015	1.750	BCFJF	K104-1	91909802
VGK-1016	1.750	VCFKF	K104-6	91909805
VGK-1017	1.750	BCFKF	K104-7	91909806
VGK-1021	1.750	BCFJF	K106-1	91909874



VGK-1077



VGK-1021

Kits for Paco End-Suction Pumps include gaskets, o-rings, shaft key, impeller bolt, impeller washer, and mechanical seal. Loctite® is included, if required for installation.

Paco is not affiliated with U.S. Seal Mfg.
Products supplied are manufactured or purchased by U.S. Seal Mfg. from sources other than the company listed.

REPLACEMENT SEAL KITS

Kits include Mechanical Seal and Everything Needed for Its Installation

Kits for PACO - End Suction Pumps (continued)

Value Guard Part No.	Seal Dia.	Material Code	Old Paco No.	New Paco No.
VGK-1022	1.750	VCFKF	K106-6	91909878
VGK-1023	1.750	BCFKF	K106-7	91909879
VGK-1027	1.750	BCFJF	K108-1	91909944
VGK-1028	1.750	VCFKF	K108-6	91909947
VGK-1029	1.750	BCFKF	K108-7	91909948
VGK-1033	1.750	BCFJF	K110-1	91910149
VGK-1034	1.750	VCFKF	K110-6	91910150
VGK-1035	1.750	BCFKF	K110-7	91910151
VGK-1042	1.750	BCFJF	K127-1	91910609
VGK-1043	1.750	VCFKF	K127-6	91910611
VGK-1044	1.750	BCFKF	K127-7	91910612
VGK-1045	1.750	BCFJF	K128-1	91910629
VGK-1046	1.750	VCFKF	K128-6	91910631
VGK-1047	1.750	BCFKF	K128-7	91910632
VGK-1051	1.750	BCFJF	K141-1	91910715
VGK-1052	1.750	VCFKF	K141-6	91910717
VGK-1053	1.750	BCFKF	K141-7	91910718
VGK-1064	1.750	BCFJF	K454-1	91911802
VGK-1065	1.750	VCFKF	K454-6	—

Value Guard Part No.	Seal Dia.	Material Code	Old Paco No.	New Paco No.
VGK-1066	1.750	BCFKF	K454-7	91911803
VGK-1076	2.000	BCFJF	K602-1	91911836
VGK-1077	2.000	VCFKF	K602-6	91911838
VGK-1078	2.000	BCFKF	K602-7	91911839
VGK-1030	2.250	BCFJF	K109-1	91910061
VGK-1031	2.250	VCFKF	K109-6	91910065
VGK-1032	2.250	BCFKF	K109-7	91910066
VGK-1036	2.250	BCFJF	K111-1	91910192
VGK-1037	2.250	VCFKF	K111-6	91910195
VGK-1038	2.250	BCFKF	K111-7	91910196
VGK-1048	2.250	BCFJF	K140-1	91910707
VGK-1049	2.250	VCFKF	K140-6	91910708
VGK-1050	2.250	BCFKF	K140-7	91910709
VGK-1067	2.250	BCFJF	K455-1	91911806
VGK-1068	2.250	VCFKF	K455-6	—
VGK-1069	2.250	BCFKF	K455-7	—
VGK-1039	2.750	BCFJF	K112-1	91910246
VGK-1040	2.750	VCFKF	K112-6	91910252
VGK-1041	2.750	BCFKF	K112-7	91910250

Kits for Paco-End Suction Pumps include gaskets, o-rings, shaft key, impeller bolt, impeller washer, and mechanical seal. Loctite® is included if required for installation.

Kits for PACO - Split Case Pumps



VGK-1002

Value Guard Part No.	Seal Dia.	Material Code	Paco Part No.
VGK-1003	1.750	BCFJF	K0308-1
VGK-1003B	1.750	BCFJF	K0308-1
VGK-1004	1.750	VCFKF	K0308-6
VGK-1004B	1.750	VCFKF	K0308-6
VGK-1005	1.750	BCFKF	K0308-7
VGK-1005B	1.750	BCFKF	K0308-7
VGK-1000	1.750	BCFJF	K0303-1
VGK-1000B	1.750	BCFJF	K0303-1
VGK-1001	1.750	VCFKF	K0303-6
VGK-1001B	1.750	VCFKF	K0303-6
VGK-1002	1.750	BCFKF	K0303-7
VGK-1002B	1.750	BCFKF	K0303-7

Kits for the Paco Split Case Pumps include gaskets, o-rings, slingers, and mechanical seals. The kits with the letter B in the part number include the above PLUS the bearings and oil seal.

Paco is not affiliated with U.S. Seal Mfg.
Products supplied are manufactured or purchased by U.S. Seal Mfg. from sources other than the company listed.

REPLACEMENT SEAL KITS

Kits include Mechanical Seal and Everything Needed for Its Installation

Kits for PEERLESS

Value Guard Part No.	Seal Dia.	Material Code	Peerless Part No.
VGK-1090	1.250	BCFKF	BSE-2 (Ni-Resist)
VGK-1123	1.250	BCFJF	BSE-2 (Ceramic)
VGK-1120	1.250	VCFJF	BSE-2 (Vit / Cer)
VGK-1092	1.250	VCFKF	BSE-2 (Vit / Nir)
VGK-1091	1.500	BCFKF	BSE-3 (Ni-Resist)
VGK-1121	1.500	BCFJF	BSE-3 (Ceramic)
VGK-1122	1.500	VCFJF	BSE-3 (Vit / Cer)
VGK-1093	1.500	VCFKF	BSE-3 (Vit / Nir)
VGK-1132	1.250	BCFKF	ISE-2 (Ni-Resist)
VGK-1133	1.250	BCFJF	ISE-2 (Ceramic)
VGK-1135	1.250	VCFJF	ISE-2 (Vit / Cer)
VGK-1134	1.250	VCFKF	ISE-2 (Vit / Nir)

Value Guard Part No.	Seal Dia.	Material Code	Peerless Part No.
VGK-1136	1.500	BCFKF	ISE-3 (Ni-Resist)
VGK-1137	1.500	BCFJF	ISE-3 (Ceramic)
VGK-1138	1.500	VCFJF	ISE-3 (Vit / Cer)
VGK-1139	1.500	VCFKF	ISE-3 (Vit / Nir)



VGK-1090

Kits for Peerless Pumps include gaskets, sleeve, impeller bolt, impeller washer, key and mechanical seal.

Kits for TACO

Value Guard Part No.	Seal Dia.	Material Code	Taco Part No.
VGK-1094 *	.500	BCFKF	1600-055RP
VGK-1095 *	.625	BCFJF	1600-170ERP
VGK-1096 *	.625	BCFKF	1600-170RP
VGK-1097 *	.625	BCFJF	1600-868CRP
VGK-1098	1.125	BCFKF	840-128BRP
VGK-1102	1.125	BCFJF	950-664BRP
VGK-1105	1.125	VCFZF	950-667BRP
VGK-1108	1.125	BCFJF	950-670BRP
VGK-1112	1.125	BCFKF	951-3159BRP
VGK-1114	1.125	BCFJF	951-3161BRP
VGK-1116	1.125	BCFKF	953-1549-1BRP
VGK-1117	1.125	BCFJF	953-1549-3BRP
VGK-1099	1.500	BCFKF	862-171BRP
VGK-1100	1.500	BCFKF	862-172BRP
VGK-1119	1.500	BCFJF	862-172ERP
VGK-1103	1.500	BCFKF	950-665BRP
VGK-1106	1.500	VCFZF	950-668BRP
VGK-1109	1.500	BCFJF	950-671BRP

Value Guard Part No.	Seal Dia.	Material Code	Taco Part No.
VGK-1113	1.500	BCFKF	951-3160BRP
VGK-1115	1.500	BCFJF	951-3162BRP
VGK-1118	1.500	BCFJF	953-1549-6BRP
VGK-1101	1.875	BCFJF	950-1369BRP
VGK-1111	1.875	BCFJF	951-2968BRP
VGK-1104	2.000	BCFKF	950-666BRP
VGK-1107	2.000	VCFZF	950-669BRP
VGK-1110	2.000	BCFJF	950-672BRP



VGK-1098

Kits for Taco Pumps include gaskets, o-rings, sleeve*, rubber bonded washer, and mechanical seal.

* These kits do not include sleeve.

Peerless and Taco are not affiliated with U.S. Seal Mfg.

Products supplied are manufactured or purchased by U.S. Seal Mfg. from sources other than the companies listed.